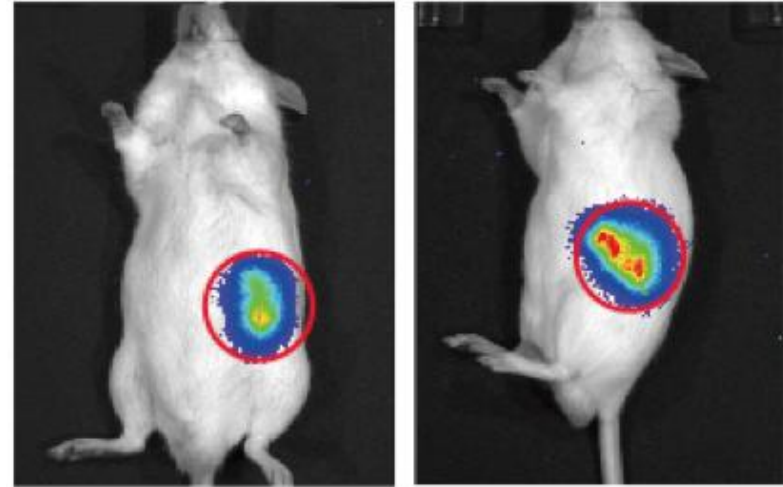
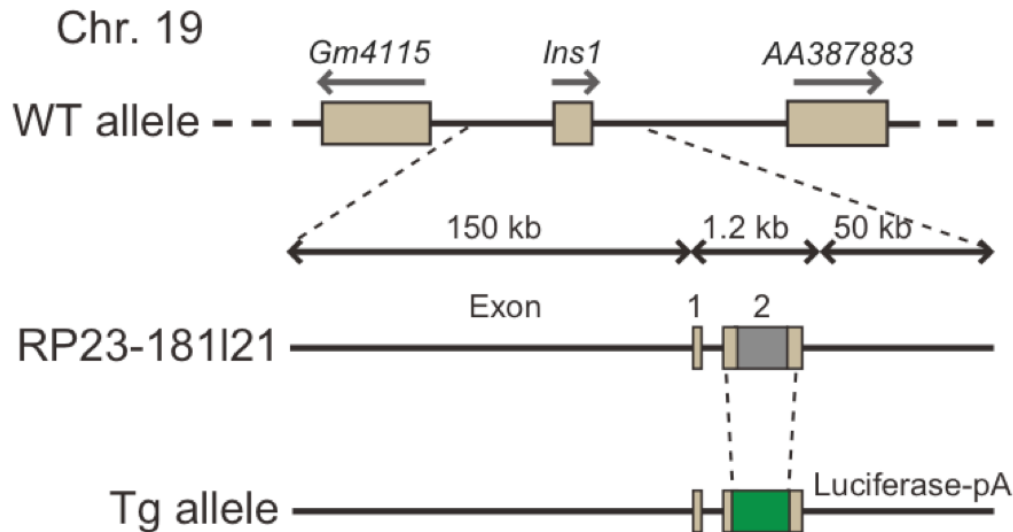


from *Anatomy and Embryology*,

Novel bioluminescence reporter mouse for pancreatic β -cell study



This laboratory has generated a novel bioluminescence reporter mouse, in which *luciferase* gene expression is under the control of mouse *insulin 1* gene. The transgenic mice provide noninvasive monitoring of β -cell development, regeneration, and β -cell destruction in diabetes mellitus.

Journal Club : *PLoS One*. 2013;8:e60411.

Exp Anim. 2012;61:445-451.